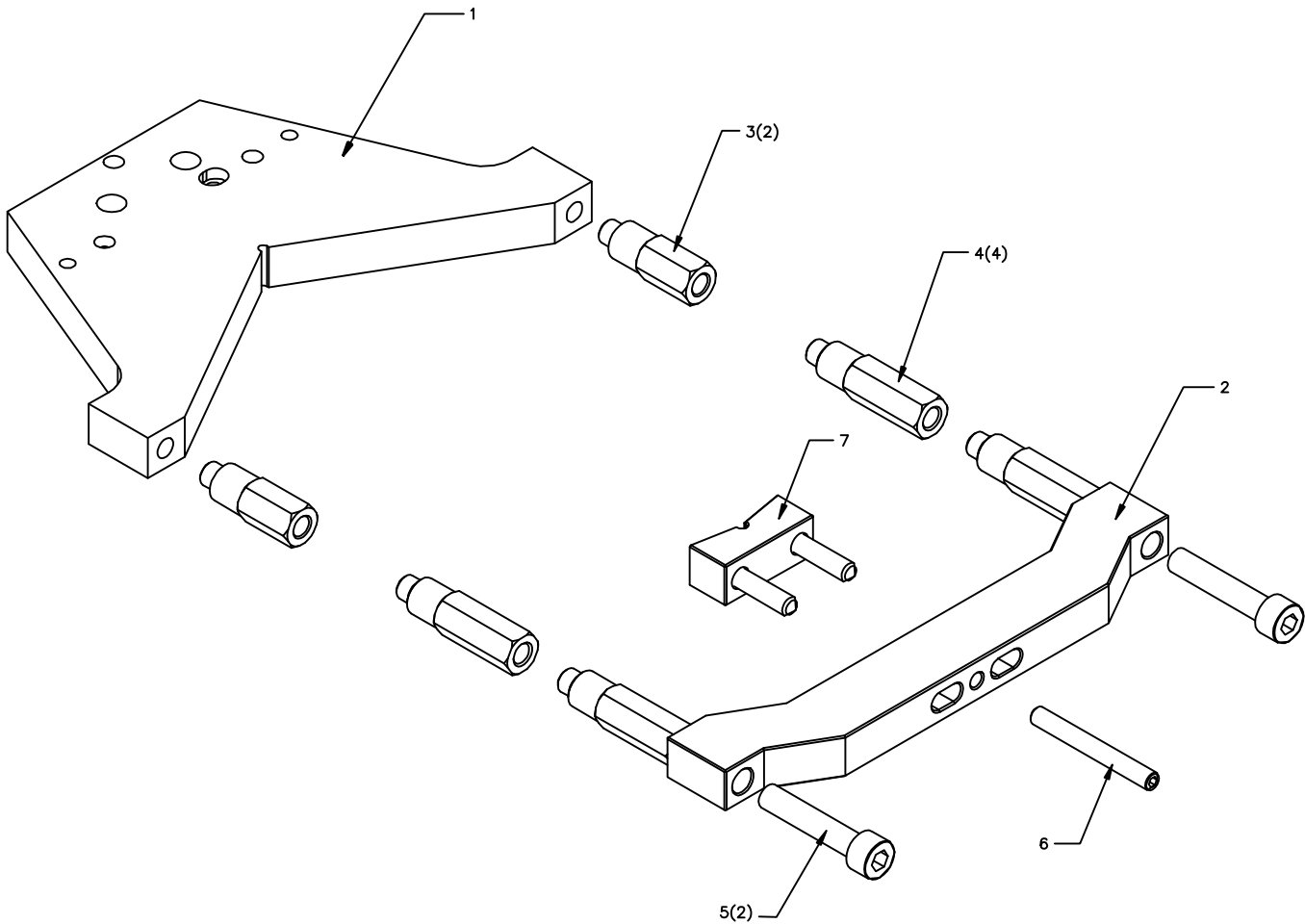


RC01 ROUND CLAMPING DEVICE



ITEM	QTY	PART NUMBER	DESCRIPTION	OTHER
1	1	C0700	MAIN BODY	
2	1	C0701	STRAP CLAMP	
3	2	C0702	STAND OFF MALE FEMALE (SHORT)	
4	4	C1001	STAND OFF MALE FEMALE (MEDIUM)	
5	2	H524	CLAMP SCREW MEDIUM	
6	1	H516	STRAP CLAMP SCREW	
7	1	S5156	BRASS V SUB-ASSEMBLY	